

7900q Series Thin Clients

Model Numbers: 7972q, 7910q

Industry Leading Endpoints & Management Software

The 10ZiG 7900q AIO Thin Client Series is truly an All-in-One with 5M webcam and dual digital microphone, 23.8" Full HD, frameless bezel design display with LED backlight panel, two external up-to-4K display monitor support, and more. Its impressive foot stand tilts from -5 to 20 degrees and swivels -65 to 65 degrees. Supportive of VMware, Citrix, Microsoft, Amazon WorkSpaces, and more. Equipped with free centralized management via The 10ZiG Manager™, which comes cloud-enabled with unlimited user licenses. Covered by technical support and software upgrades. Also available in a Zero Client device.

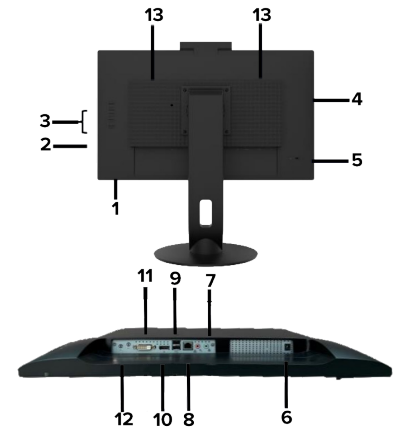


▶ Intel Quad Core 1.1 GHz (2.8GHz)
▶ AIO Monitor (1920 x 1080), 2 x External Monitors Support (1x 1920 x 1080 DVI-D & 1x 3840 x 2160 @360Hz DP)
▶ Up to 16GB DDR4 RAM for High Speed Support
▶ 2 x USB Port 3.2, 2 x USB Port 2.0, 1 x DP, 1 x DVI-D, 1 x 3.5mm Headset Jack
▶ RJ45 LAN
▶ TAA Compliant
▶ Optional Wireless (Dual External Antenna)
▶ Supports Kensington Lock
▶ FREE Centralized Management via 10ZiG Manager™

7900q Series Thin Clients



System	
Management	10ZiG Manager™
Processor	Intel Quad Core 1.1 GHz (2.8GHz)
Processor Graphics	Intel HD Graphics for Intel® Celeron® Processor N3000 Series
Dimensions	
Device	539.5 (W) x 343.7 (H) x 48.2 (D) mm (w/o stand)
Weight	9.9 lbs. (4.5 kg.)
Connections	
Ports on Device	2 x USB Port 3.2, 2 x USB Port 2.0, 1 x DP, 1 x DVI-D, 1 x 3.5mm Headset Jack, 1 x Gbe LAN, 2 x Speaker
Video Resolution	AIO monitor (1920 x 1080), 2 x External Monitors (1x 1920 x 1080 DVI-D & 1x 3840 x 2160 @360Hz DP)*
Networking	
Wireless	Optional (802.11 a/b/g/n/ac External Antenna)
Ethernet	10/100/1000 Base-T, RJ45 LAN
Environmental	
Operating Temp.	32-95 F (0-35 C)



SPECIFICATIONS

1. Power LED
2. Power Button
3. OSD Control Button
4. USB 3.0 x2
5. Kensington Lock
6. 19V DC Jack
7. Headset Jack
8. RJ45 LAN
9. USB 2.0 x2
10. DP
11. DVI-D
12. Antenna Hole
13. Speaker

7972q

7910q

Operating System

PeakOS™ (Linux)

Windows 10 IoT

Memory		
RAM	Std: 4GB Max: 16GB	Std: 8GB Max: 16GB
Storage	Std: 8GB Max: 256GB	Std: 32GB Max: 256GB
Software		

Software Applications	Citrix Workspace App, VMware Horizon Client, FreeRDP Client, Parallels Client, Firefox, Google Chrome**, Adobe Reader, Putty, VNC (Shadowing), iSeries/5250 Emulation*, MSRDCore Client	Citrix Workspace App, RDP, Azure Virtual Desktop Client, VMware Horizon Client, Amazon WorkSpaces Client**, Workspot Client, Parallels RAS Client, Edge Browser VNC (Shadowing), 10ZiG Quick Start & UWF Wizard
-----------------------	---	---

Connection Servers	VMware: Horizon, Workspace One, Horizon Security Server, Unified Access Gateway Citrix: Storefront, Netscaler, Citrix Cloud RDP: Direct RDP, RD Gateway, RD Load Balancer, RD Web Parallels RAS, Azure Virtual Desktop, Windows 365 Cloud PC	VMware Horizon, Workspace One, Horizon Security Server, Unified Access Gateway, Citrix Storefront, Netscaler, Citrix Cloud, Azure Virtual Desktop, Amazon Workspaces, Parallels RAS, Workspot VDI, Windows 365 Cloud PC
--------------------	---	--

*Note: Actual display performance, such as multi-monitor and higher resolutions including 4K/UHD/QHD/WQHD are dependent upon your current VDI infrastructure and any additional requirements. Consult with 10ZiG for further guidance and model recommendation.

**Optional Application may require alternative model; please speak to a sales representative to confirm.



Americas P: +1 (866) 865-5250
 EMEA P: +44 (0) 116 214 8650
 APAC P: +61 2 80027421
 DE P: +49 (0) 6724 9304-45

E: info@10ZiG.com
 E: info@10ZiG.eu
 E: info@10ZiG.com.au
 E: vertrieb@10zig.de

W: www.10ZiG.com

